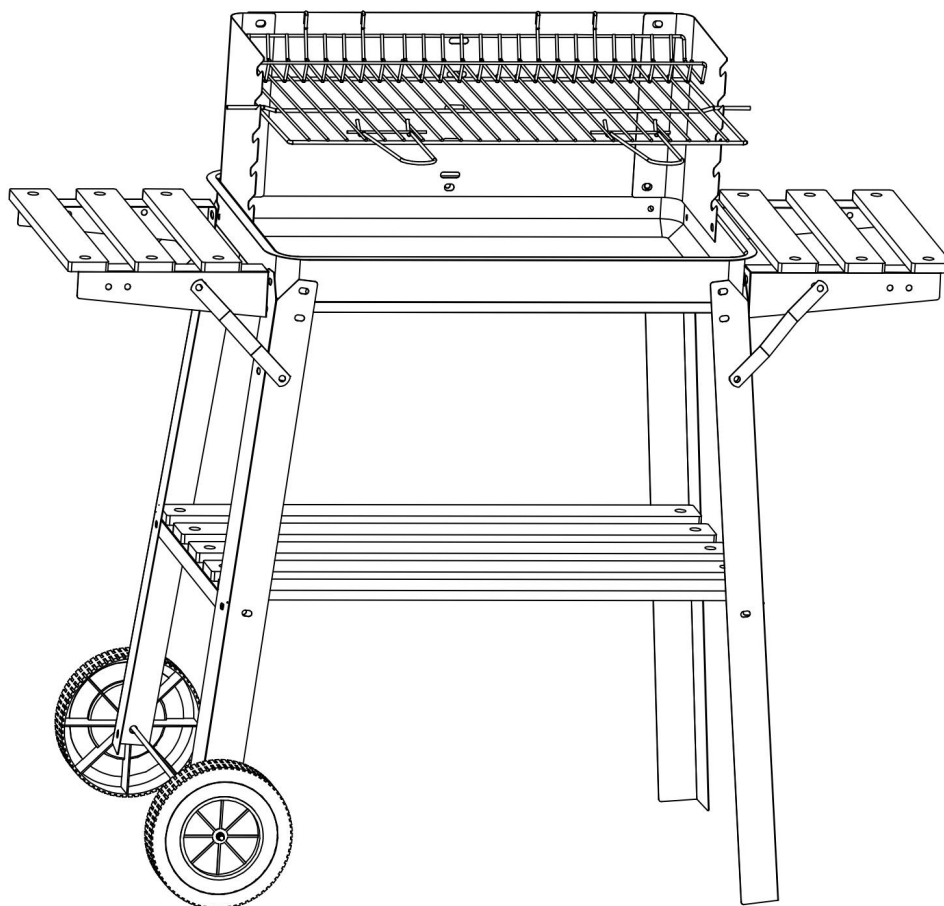




GARDENIA®

BARBECUE A CARBONELLA "NEWCASTLE"



COD. ART: 9188882

Made in PRC
Bricofer Group Spa.
Via Vincenzo Tineo 97
00172 Roma, Italia
prodotti@bricofer.it

SOLO PER USO ESTERNO

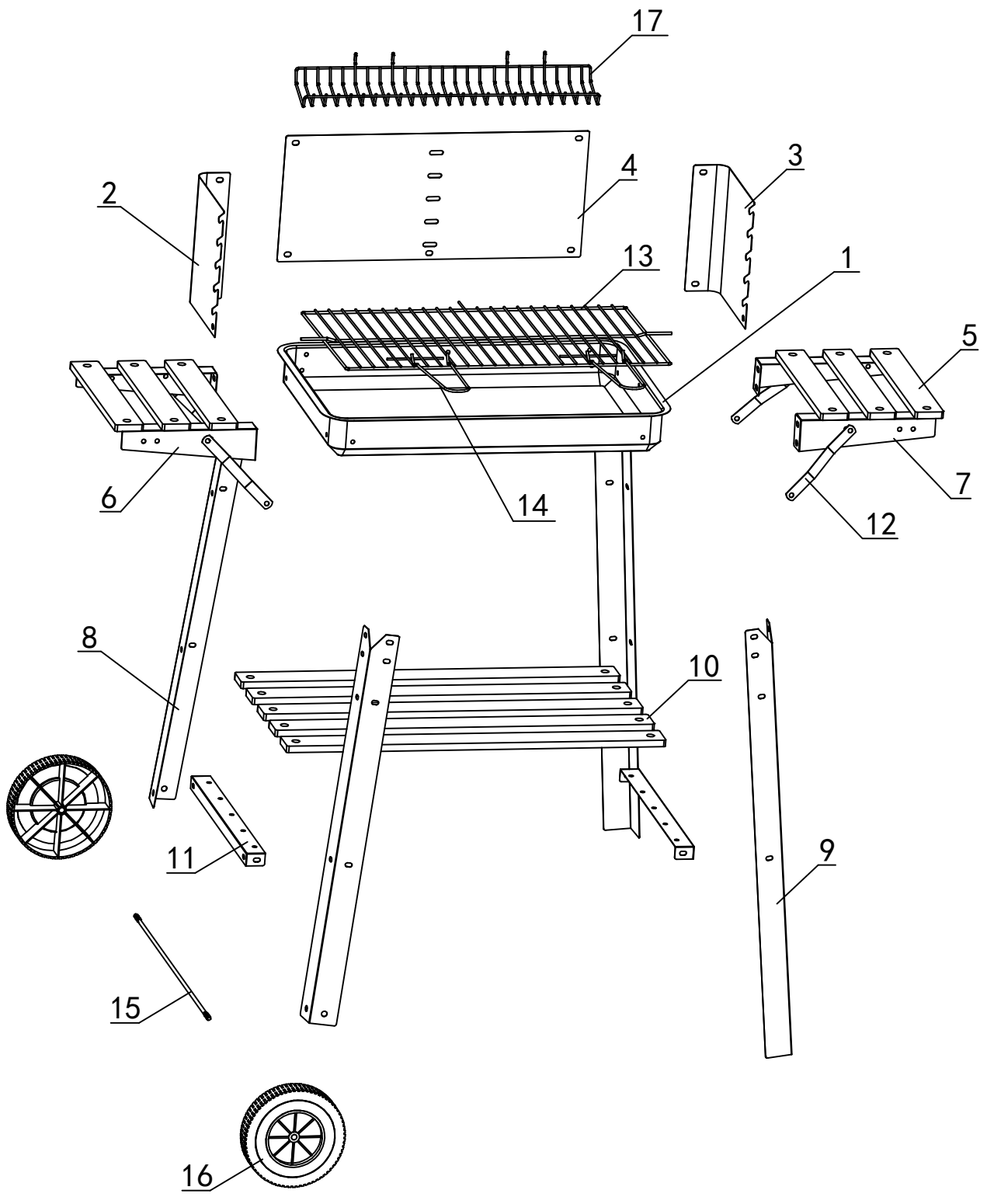


Instructions for use

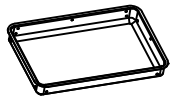

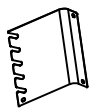

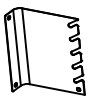
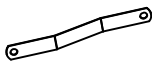
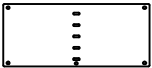
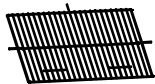


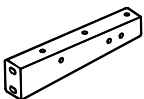

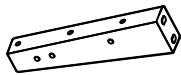




- Packaging materials can be dangerous for children. There is a risk of Suffocation. Do not leave packaging materials within reach of young children.
- Do not use it in bad weather conditions such as high winds, Do not wear loose clothing when using the grill or allow hair to come in contact with the grill.
- The installation and dismantling must be done by an adult.
- Keep a fire extinguisher near this product at all times.
- Don't place goods over 2 kgs on each side shelf.
- Do not use gasoline, kerosene, or alcohol to light charcoal. Using any of these products or similar products could cause a flare up, a flash fire or an explosion. Severe bodily injuries can be a potential result.
- Do not add instant light charcoal briquettes to the existing fire. A flash fire may result that could cause bodily injuries.
- Do not light and operate the grill without the slide out ash pan in place.
- Keep 10 feet of clearance between grill and any combustible materials when grill is in use (including, but not limited to bushes, shrubs, trees, leaves, grass, wooden decks or fences, buildings, etc.)
- The barbecue shall be heated up and the fuel kept red hot for at least 30 min prior to the first cooking.
- Do not cook before the fuel has a coating of ash".
- Do not leave grill or coals hot and ashes unattended.
- Do not try to move the grill while it is in use.
- Allow the unit to cool completely before conducting any routine cleaning or maintaining.
- Recommend the maximum coal capacity is 1.0kgs.
- "WARNING! This barbecue will become very hot, do not move it during operation"
- "Do not use indoors!"
- "WARNING! Do not use spirit or petrol for lighting or re-lighting!
Use only firelighters complying to EN 1860-3!"
- "WARNING! Keep children and pets away"
- Do not use naked flame in the grill bowl, use charcoal fire instead.



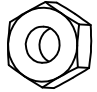
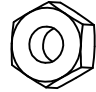
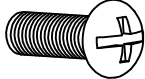
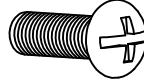
"Do not use the barbecue in a confined and/or habitable space e.g. houses, tents, caravans, motor homes, boats. Danger of carbon monoxide poisoning fatality."



1. Part List

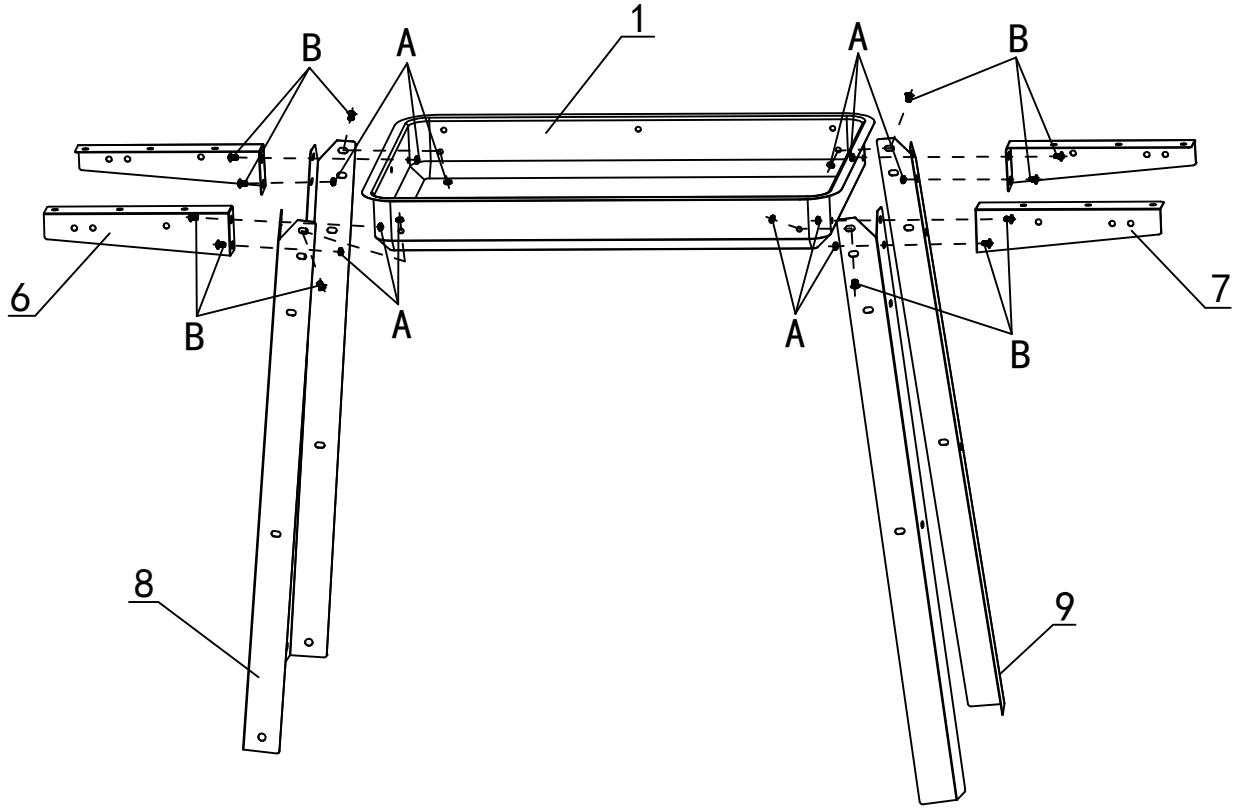
No.	Desc.	Pic.	Qty	No.	Desc.	Pic.	Qty
1	Body		1	10	Bottom rack parts		5
2	Left side plate		1	11	Bottom rack		2
3	Right side plate		1	12	Hinge		4
4	Back Windshield		1	13	Cooking grid		1
5	Side plate parts		6	14	Cooking grid handle		2
6	Left bracket of side plate		2	15	Wheel axle		1
7	Right bracket of side plate		2	16	Wheel		2
8	Left leg		2	17	Warming rack		1
9	Right leg		2				

2. Screw List

No.	Desc.	Pic.	Qty	No.	Desc.	Pic.	Qty
A	M5 nut		57	C	M6 nut		2
B	M5*8 screw		35	D	M5*12 screw		22

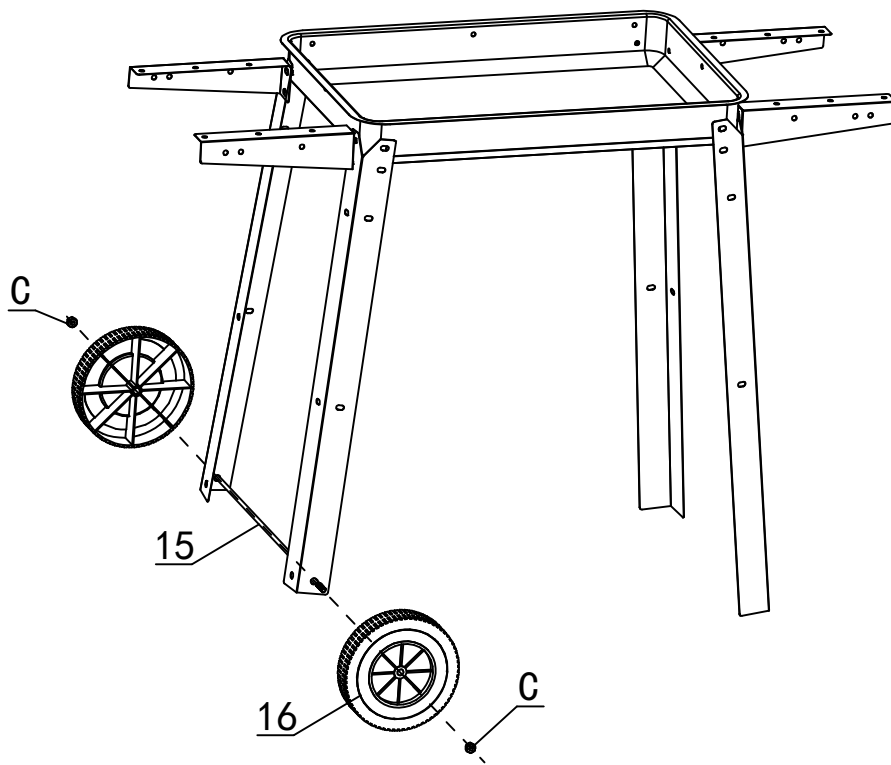
Step 1

- A M5 nut 12PCS
- B M5*8 screw 12PCS



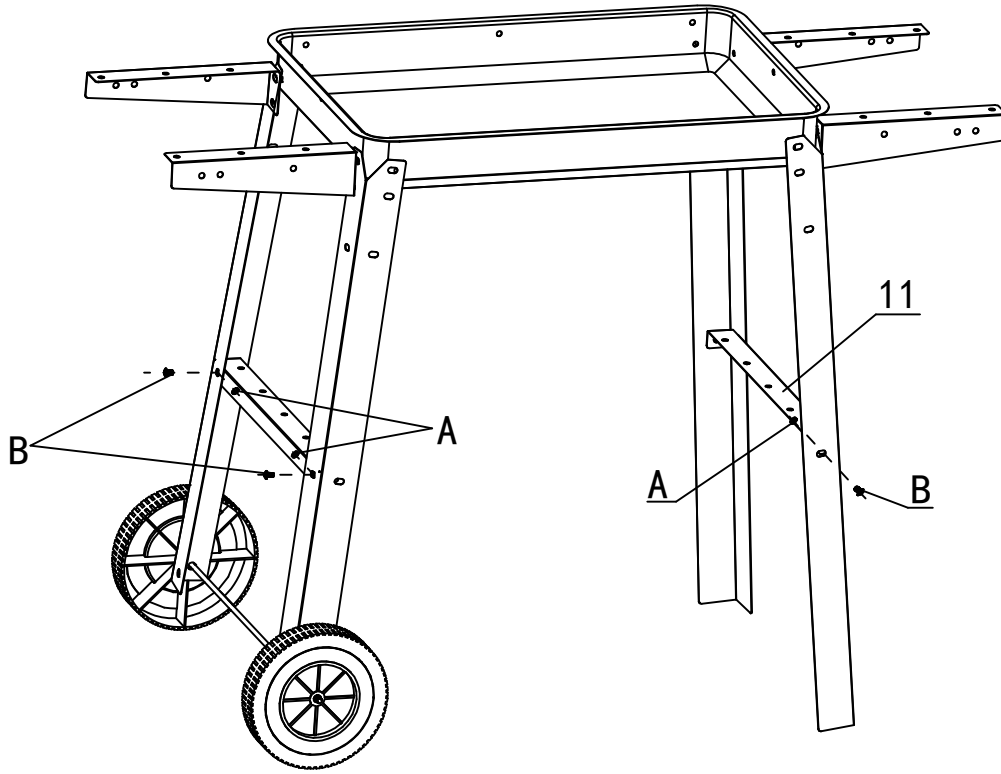
Step 2

- C M6 nuts 2PCS



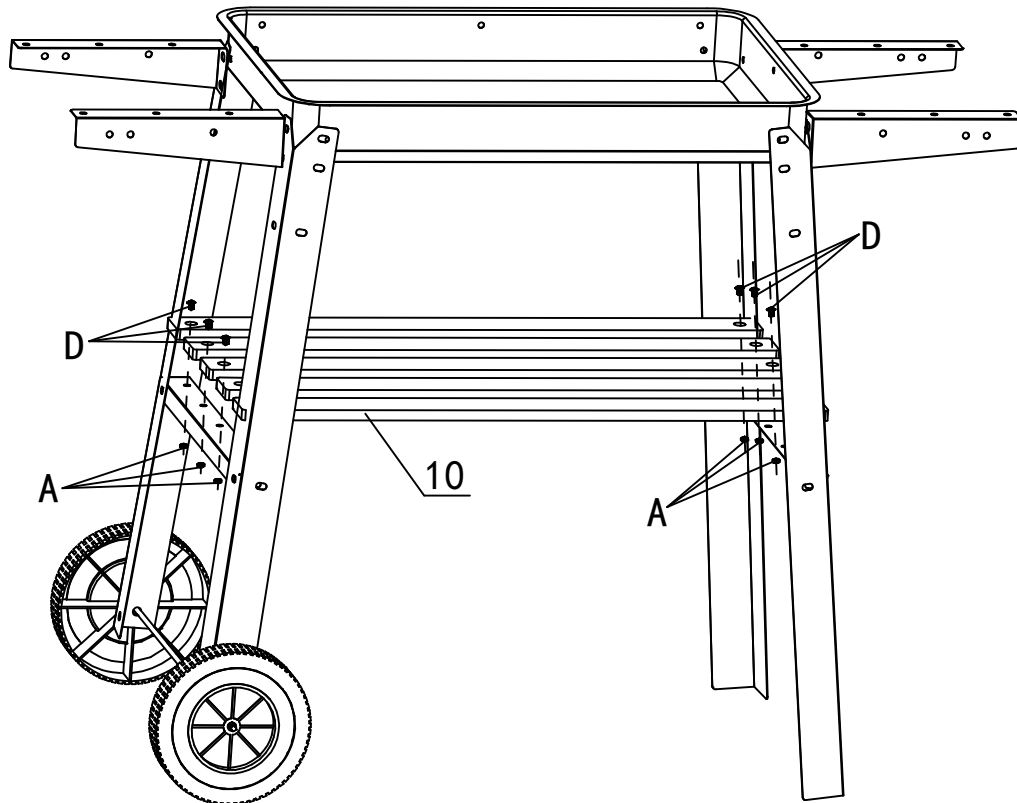
Step 3

A	M5 nut	8PCS
B	M5*8 screw	8PCS



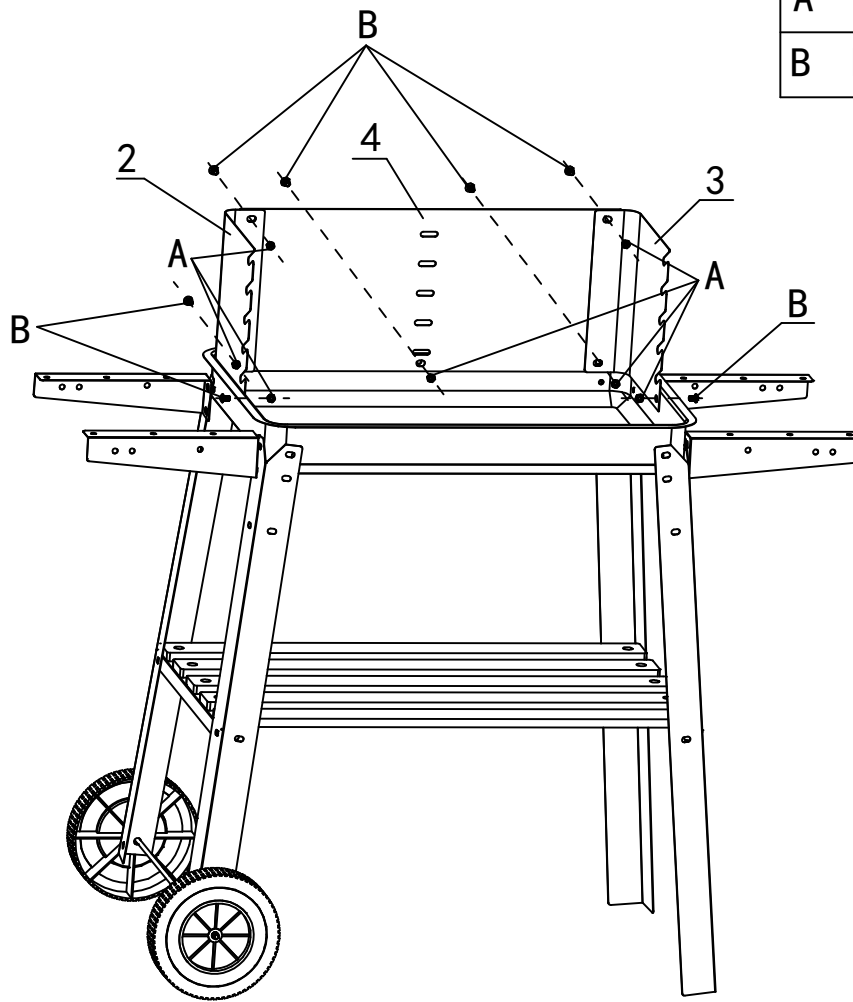
Step 4

A	M5 nut	10PCS
D	M5*12 screw	10PCS



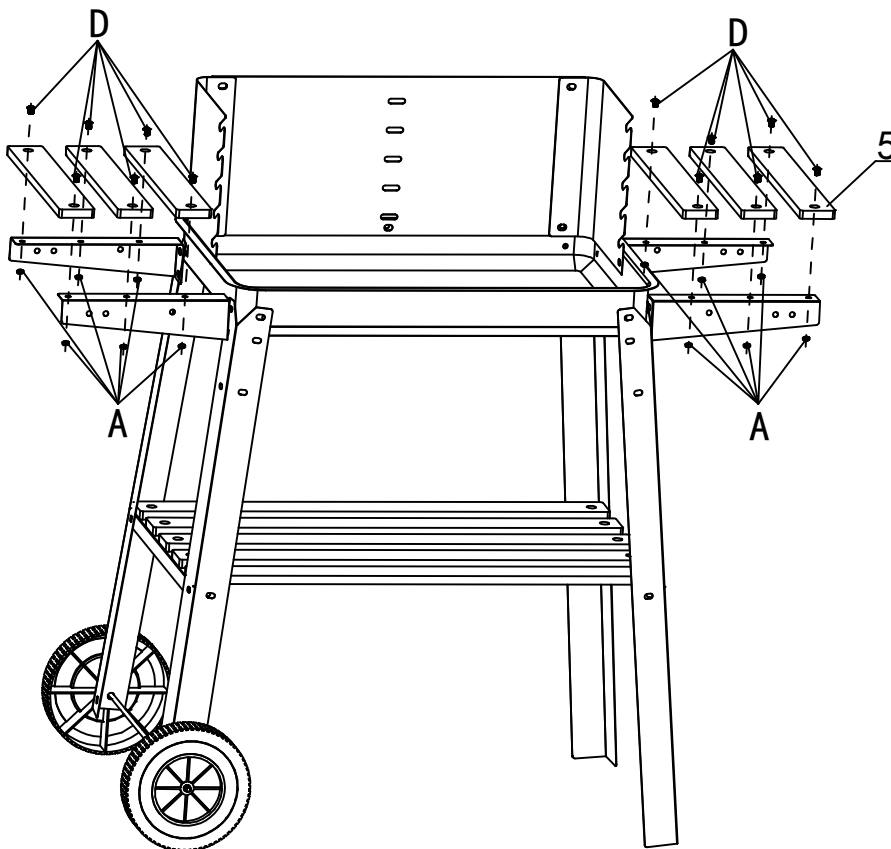
Step 5

A	M5 nut	7PCS
B	M5*8 screw	7PCS



Step 6

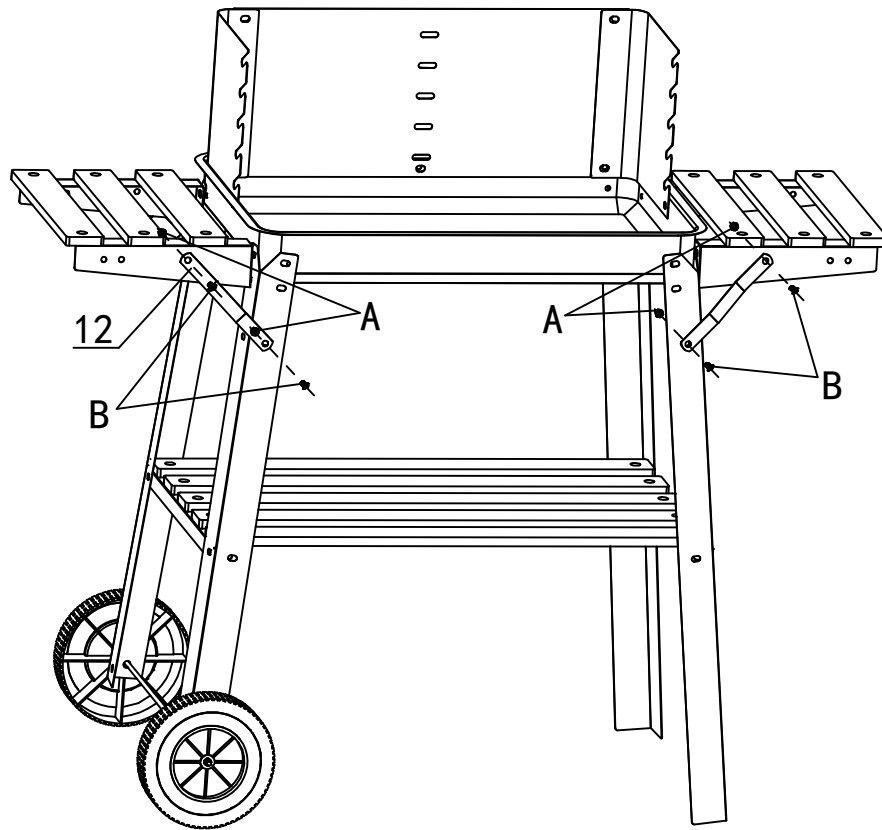
A	M5 nut	12PCS
D	M5*12 screw	12PCS



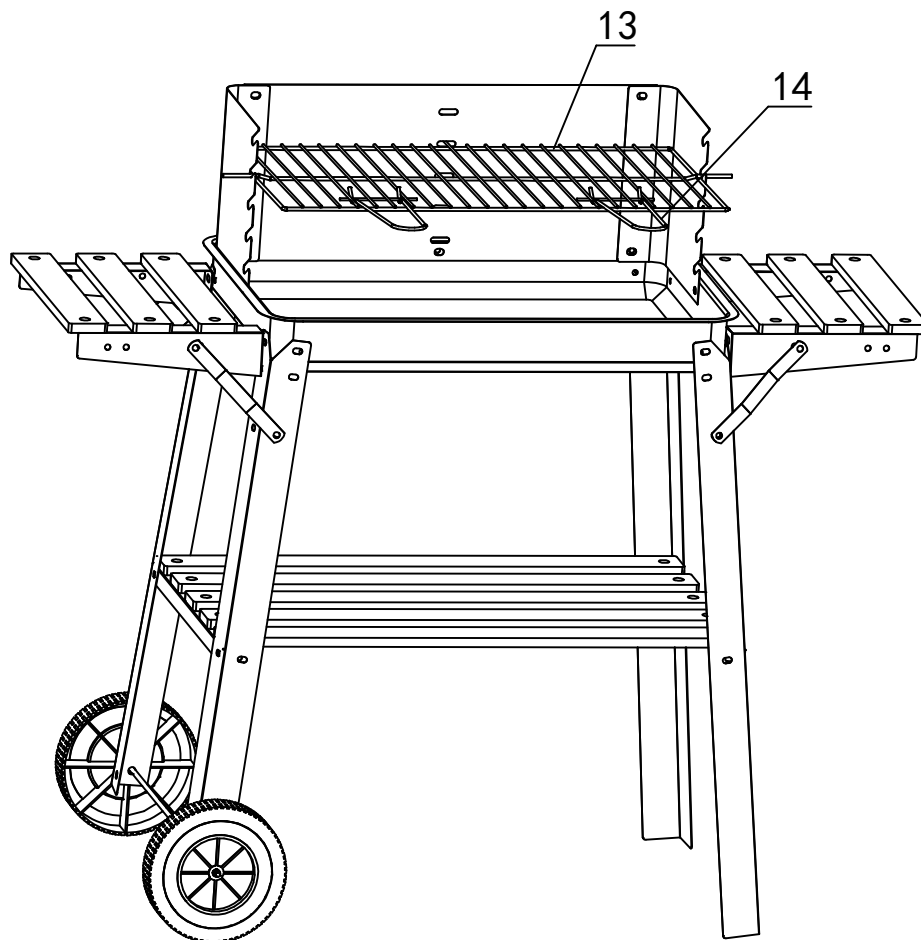
Step 7

A M5 nut 8PCS

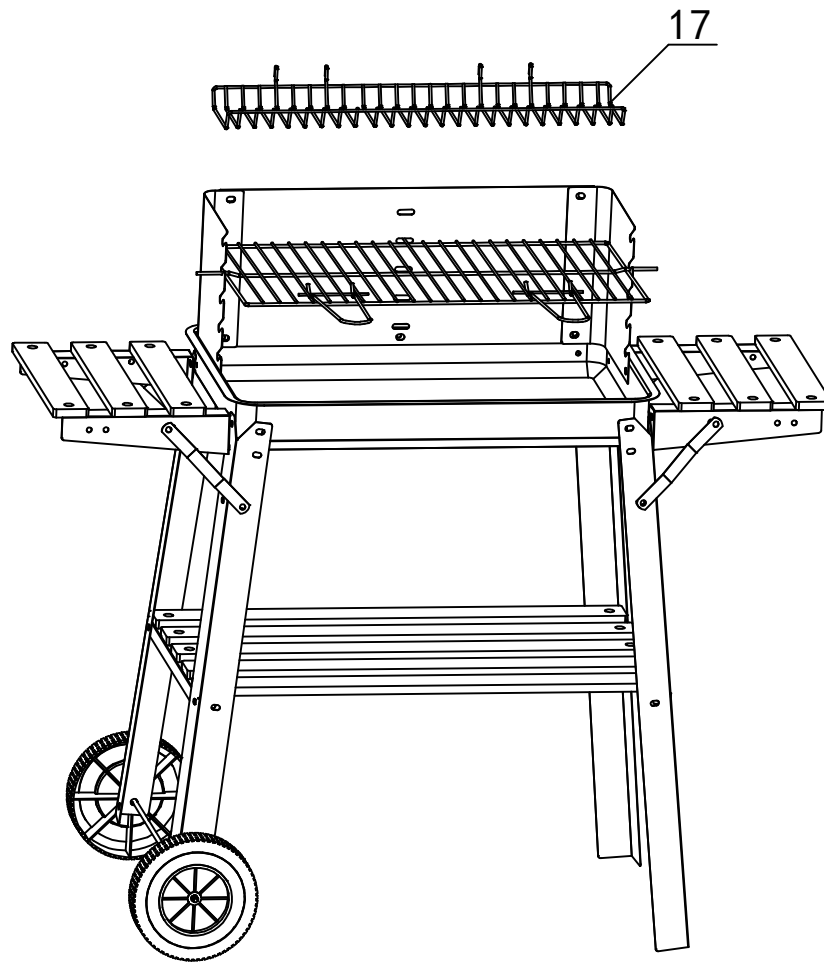
B M5*8 screw 8PCS



Step 8



Step 9



Step 10

